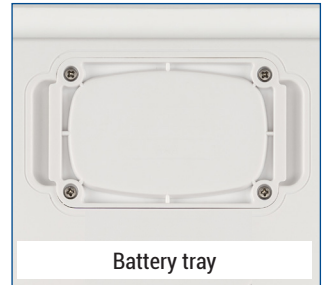


**Cleantype Xtra Touch Protect WL**

Battery tray

**PRODUCT PROPERTIES**

- Wireless Silicone keyboard with touchpad - perfect for use in medicine and industry
- Keyboard with silicone cover is easily washable and disinfectable
- Precise key function due to scissor key mechanics
- Protection rating IP68
- Key lock for deactivate the keys during cleaning
- Cursor control by integrated touchpad
- Flat key profile
- Excellent typing feeling
- Fold-out stands for tilting the keyboard for ergonomic working

SPECIFICATION

GENERAL:	
Number of keys:	83
Switch technology:	Scissor key mechanics
Keyswitch life:	ca. 5 mill. (per key)
Material cover / bottom:	Silicone / plastic
Colours:	white, (black on request)
Protection rating:	IP68
Data transfer:	Wireless 2,4GHz
Interface:	USB
Connector:	USB-A (RF USB-Dongle)
Power supply:	2 batteries type AAA (not included)
Weight:	630 g +- 10 g

Operating temperature:	0 °C to +40 °C
Storage temperature:	-40 °C to +55°C
Dimensions:	367,1 x 136,1 x 25,5 mm
Warranty:	2 years
Certifications:	CE, FCC
	EMC (Medical) EN60601-1-2: 2015+A1: 2021
	EMC (RF) EN301489-1-17+EN300328
TOUCHPAD:	
Active area:	61 x 45 mm

ORDER INFORMATION

Art. No.	Model No	Full product name	Colour	Layout	
KG30219	KSI-G10121-DE-GCQ	TKG-083-GCQ-TOUCH-IP68-RF-WHITE-USB-DE	white	German	FP
KG30221	KSI-G10121-FR-GCQ	TKG-083-GCQ-TOUCH-IP68-RF-WHITE-USB-FR	white	French	FP
KG30222	KSI-G10121-SKAN-GCQ	TKG-083-GCQ-TOUCH-IP68-RF-WHITE-USB-SKAN	white	Scandinavian	FP
KG30223	KSI-G10121-UK-GCQ	TKG-083-GCQ-TOUCH-IP68-RF-WHITE-USB-UK	white	UK	FP

Individual layouts and logos on request.

Changes and errors reserved!

GETT Gerätetechnik GmbH

Mittlerer Ring 1 | 08233 Treuen | Germany
 Tel: +49 37468 660-0
 Fax: +49 37468 660-066
 E-Mail: info@gett-group.com
 Internet: www.gett-group.com

Gett North America LLC

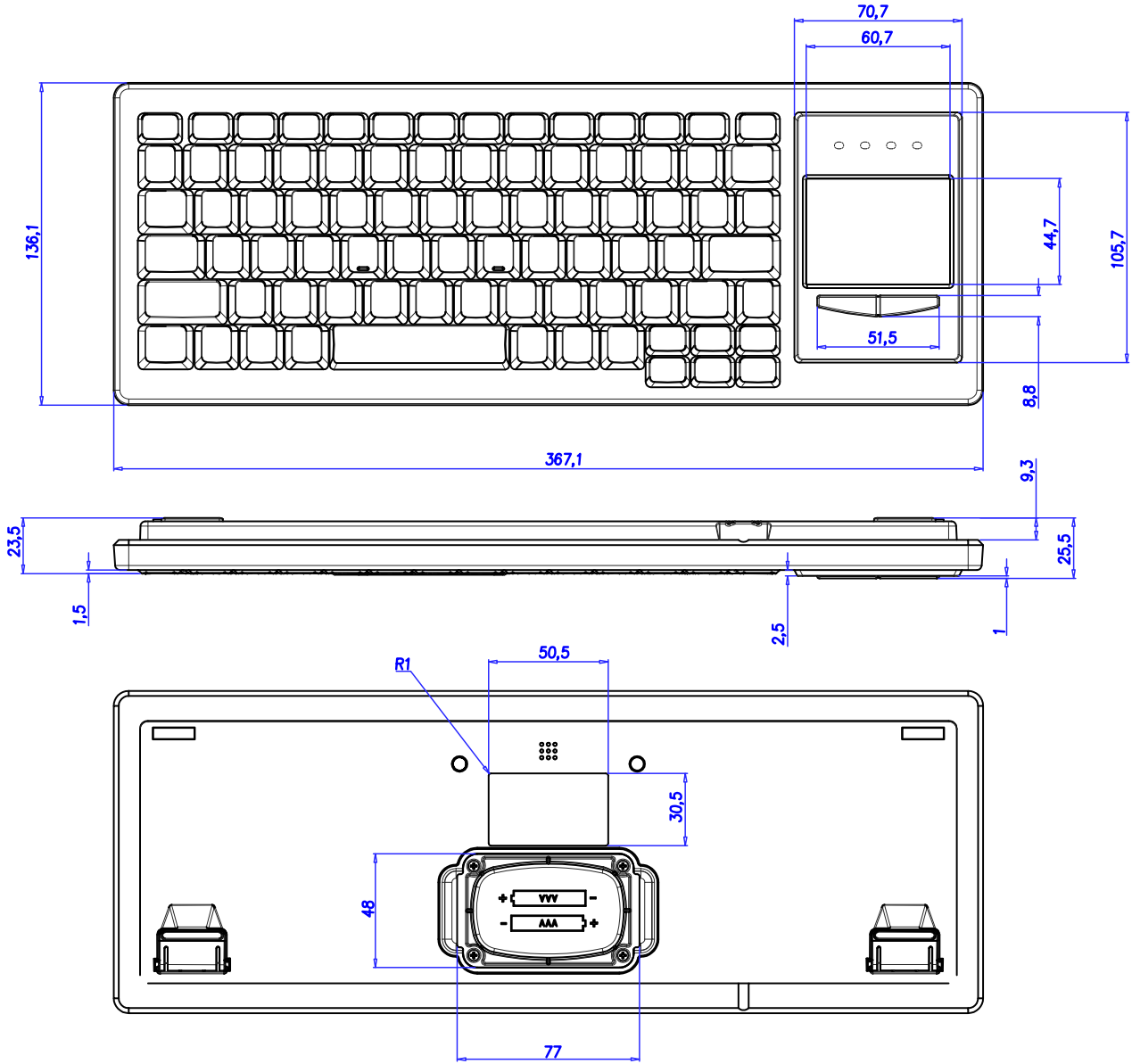
E-Mail: info@gett-na.com
 Internet: www.gett-na.com

Gett Asia Ltd.

E-Mail: info@gett-asia.com
 Internet: www.gett-asia.com



TECHNICAL DRAWING





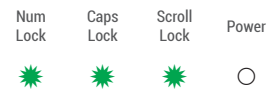
SPECIAL ATTENTION TO OPERATION AND FUNCTION

1. Fn - Layer

The keyboards of the Xtra series have an Fn layer. This is used to call up the following functions / function groups:

1. 1. KeyLock

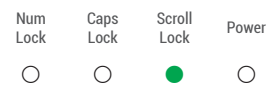
- In order to be able to switch off the keys for cleaning the keyboard without having to disconnect the keyboard from the PC, the keyboards of the Xtra series have a key lock.
- The key lock is activated and deactivated by pressing the key combination [Fn] + [F5].
- As long as the key lock is activated, this is indicated by the first three LEDs flashing.



1. 2. Keys from the navigation key area

[Print] = [Fn] + [F8]
 [Scroll Lock] = [Fn] + [F12]

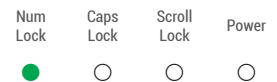
The activated Scroll Lock status is indicated by the Scroll Lock LED.



[Insert] = [Fn] + [F10]
 [Delete] = [Fn] + [F9]
 [Home] = [Fn] + [←]
 [End] = [Fn] + [→]
 [Page ↑] = [Fn] + [↑]
 [Page ↓] = [Fn] + [↓]

1. 3. Numeric pad

- The keyboards of the Xtra series have a compact keyboard layout with 83 keys.
- Similar to a notebook, this layout includes a numeric pad located in the alpha keypad, which can be accessed via the Fn layer.
- Switching between the alpha keypad and the numeric pad is done with the key combination [Fn] + [F11].
- The activated numeric pad is indicated by the Num Lock LED.



2. Energy-saving status LED indication on the wireless keyboard version

- The status LEDs of the Xtra series Wireless keyboards do not light up constantly when the status is active - as is the case with wired keyboards. They only light up when the status is called up by pressing the Fn key.
- After activating the respective status, the Num-Lock, Caps-Lock and Scroll-Lock status LEDs only light up for approx. 1 to 2 seconds and then go out.