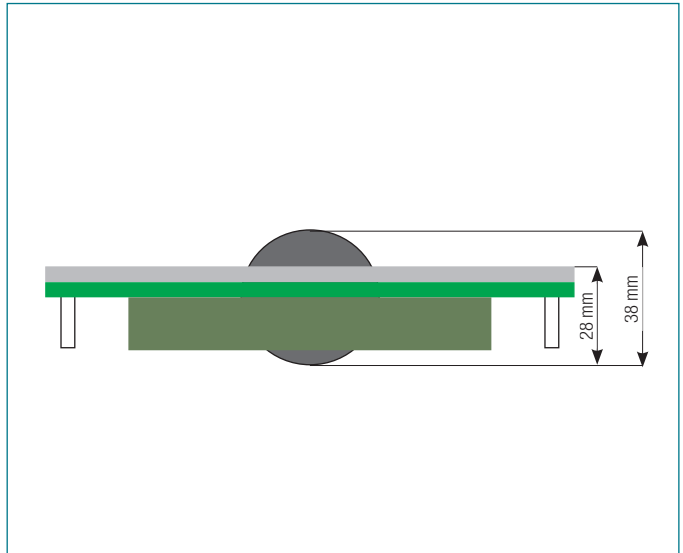


TKH-TB38b-MODUL



PRODUCT FEATURES

- Trackball built-in panel for industrial environment
- Resistant to dirt, dust and liquid (IP65)
- Integrated 38 mm trackball
- With left and right mouse button

SPECIFICATION

Mounting type:	front panel with threaded bolts
Front panel material:	FR4 (epoxyd resin)
Keyswitch technology:	gold plated domes
Switching cycles:	appr. 1 mill. (per key)
Operating force:	3,0 N
Switch travel:	0.6 mm
Protection level:	IP65 (stat.); IP54 (dyn.)
Interface:	USB
USB compatibility:	compliant with USB 1.1
Operating temperature:	0 °C to +65 °C
Storage temperature:	0 °C to +80 °C
Dimensions:	135 x 110 x 38 mm

Weight:	260 g
Compliance:	
-- Global:	REACH, RoHS self-declaration

SPECIFICATION TRACKBALL

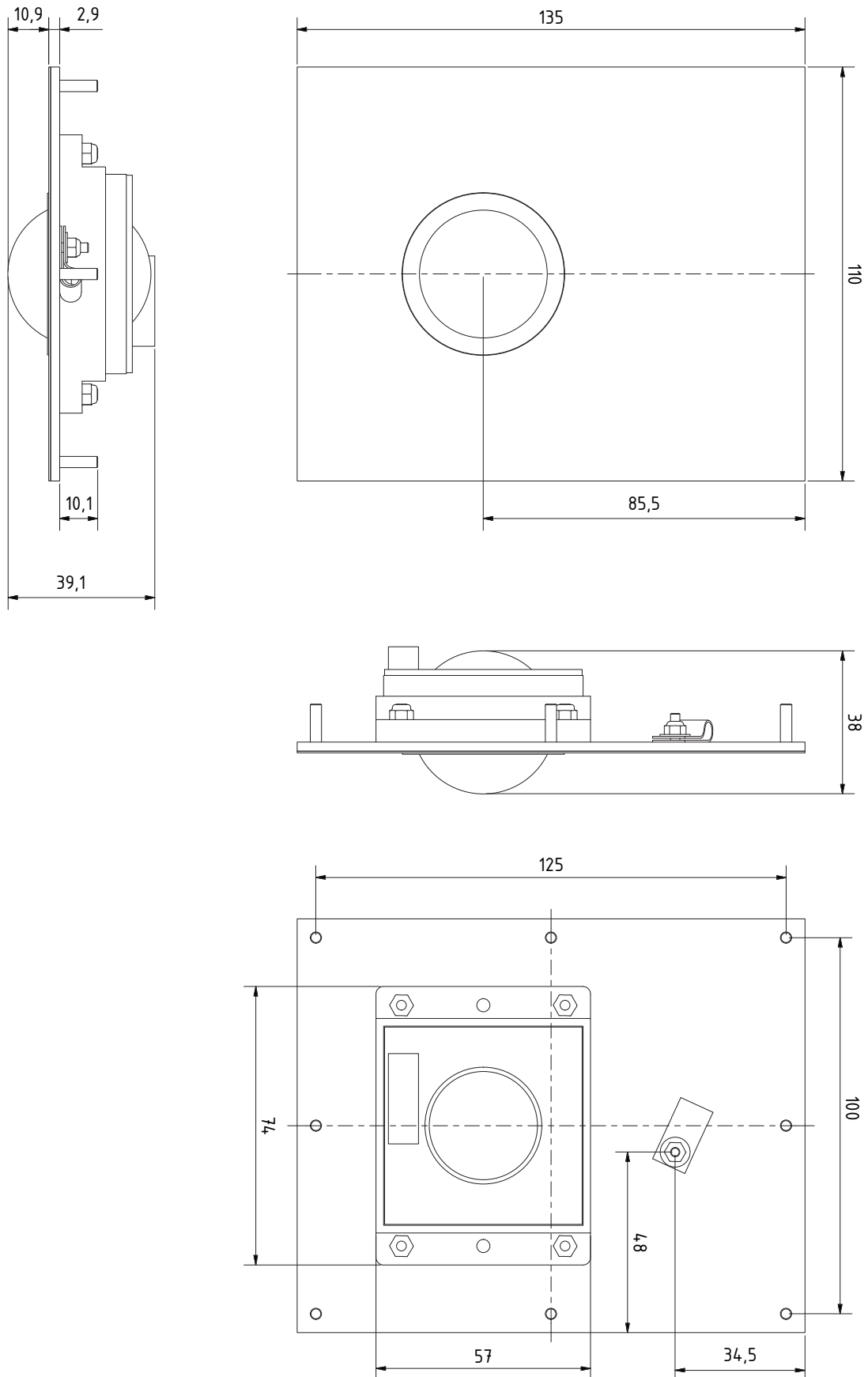
Material:	phenolic
Operating principle :	mechanical
Lifetime:	appr. 2 mill. ball revolutions
Actuation force:	50 g
Diameter:	38 mm

Cat.No.	Product description
KH02006	TKH-TB38b-MODUL-USB

Other language versions/interfaces/configurations available on request

Subject to modifications and errors!

TECHNICAL DRAWING (in mm)



Subject to modifications and errors!

GETT Gerätetechnik GmbH

Mittlerer Ring 1 | 08233 Treuen | Germany
 Tel: +49 37468 660-0
 Fax: +49 37468 660-66
 E-Mail: info@gett.de
 Internet: www.gett.de

Gett North America LLC

E-Mail: info@gett-na.com
 Internet: www.gett-na.com

Gett Asia Ltd.

E-Mail: info@gett-asia.com
 Internet: www.gett-asia.com

gett.de
gett-group.com